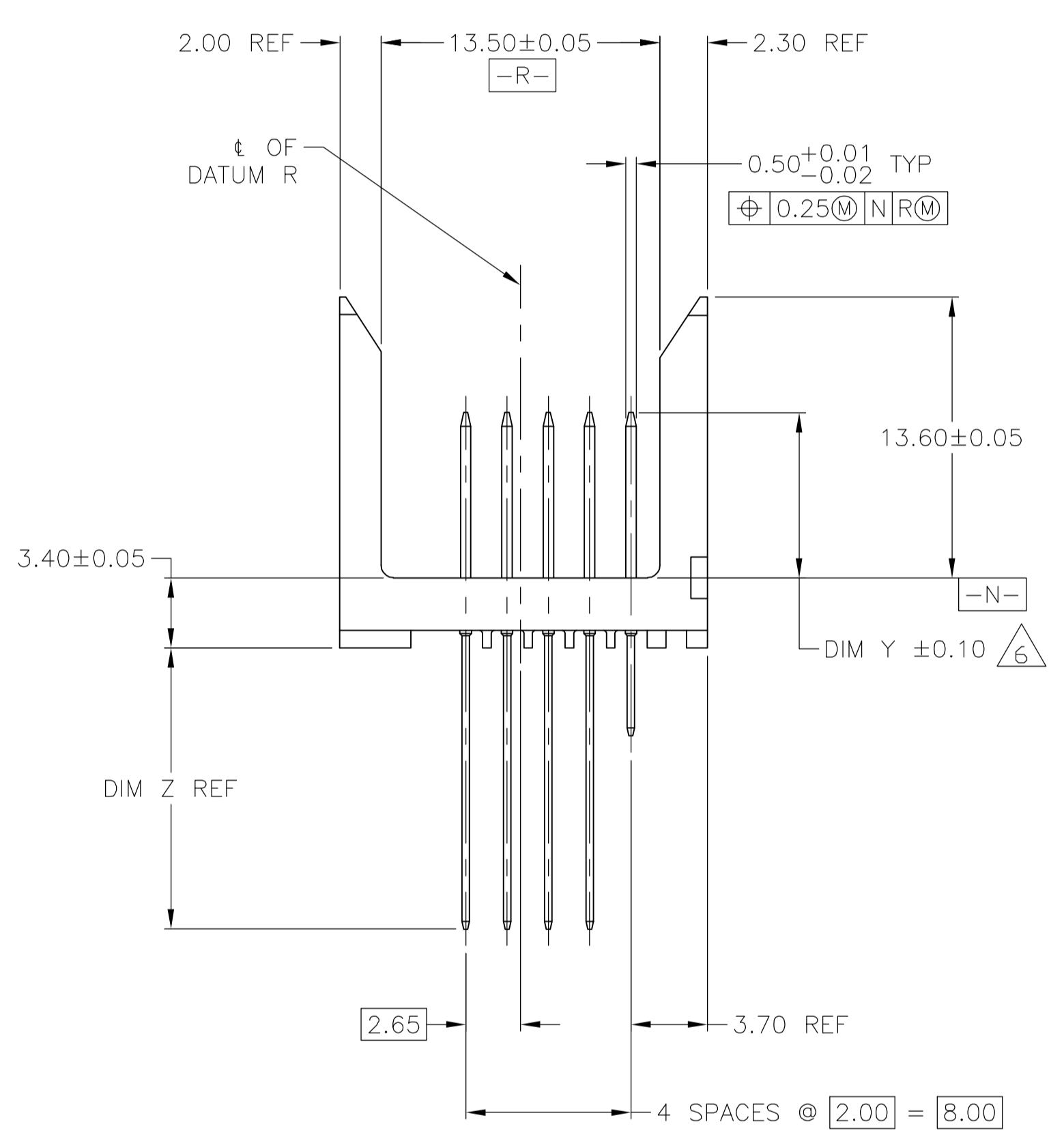
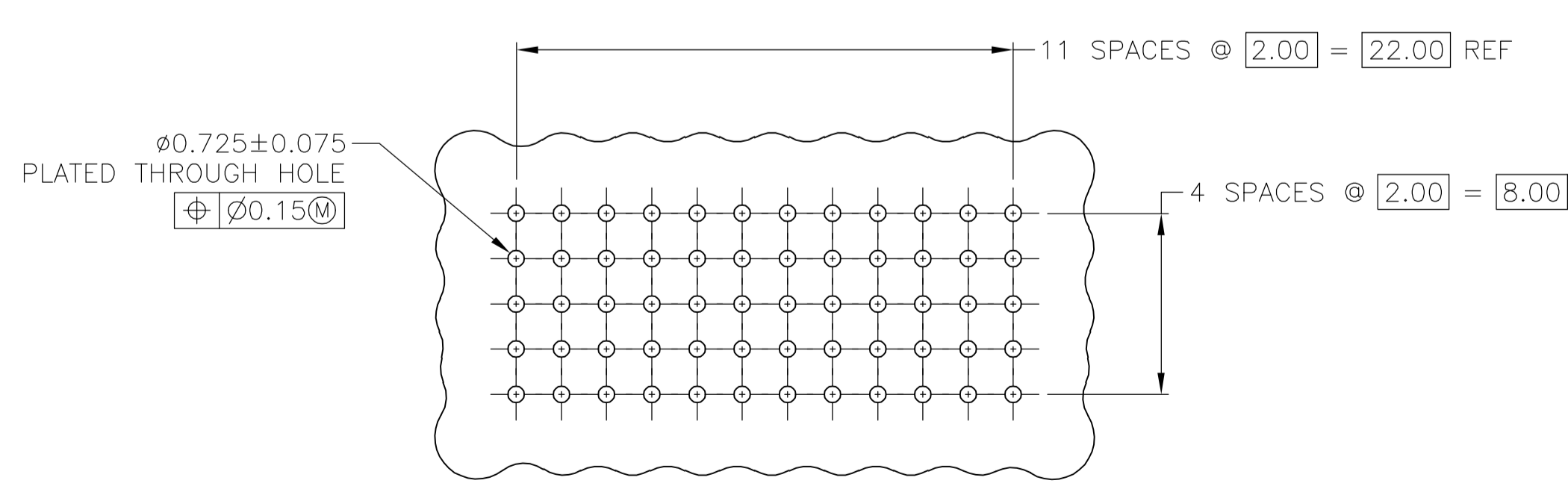


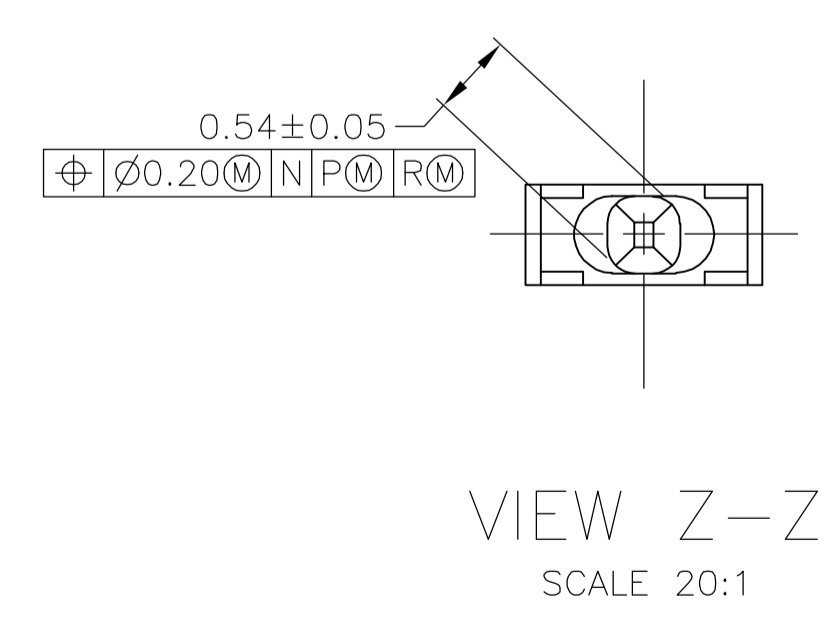
5223081-1 AS SHOWN



- 1 HOUSING MATERIAL: LIQUID CRYSTAL POLYMER, NATURAL.
- 2 CONTACT MATERIAL: PHOSPHOR BRONZE.
- 3 CONTACT FINISH:
 UNDERPLATE (ENTIRE CONTACT):
 0.00127 MIN NICKEL PER SAE-AMS-QQ-N-290
 ON MATING SURFACES:
 CONFORMS TO ALL TESTING SPECIFIED FOR TELCORDIA
 UNCONTROLLED ENVIRONMENT.
 ON LEADS:
 0.0006 MIN MATTE TIN PER ASTM B 545 OVER UNDERPLATE.
 LUBRICATION (MIN MATING SURFACES):
 SURFACE CONDITIONER AFTER PLATING.
- 4 PART MARKING, LOCATED APPROXIMATELY AS SHOWN.
- 5. SEE SHEET 2 FOR SEQUENCING CHARTS.
- 6 DIMENSION APPLIES WHEN SEATED ON PRINTED CIRCUIT BOARD.
- 7 SEE RESTRICTED CUSTOMER DRAWING.



RECOMMENDED CIRCUIT PATTERN
 (COMPONENT SIDE)



VIEW Z-Z
 SCALE 20:1

6-5223081-0
5-5223081-9
5-5223081-8
5-5223081-7
5-5223081-6
5-5223081-0
4-5223081-9
4-5223081-8
4-5223081-6
4-5223081-3
3-5223081-5
3-5223081-2
3-5223081-1
OBSOLETE 3-5223081-0
OBSOLETE 2-5223081-9
OBSOLETE 2-5223081-8
OBSOLETE 2-5223081-6
2-5223081-4
1-5223081-2
1-5223081-1
1-5223081-0
5223081-9
5223081-8
5223081-7
5223081-6
5223081-5
OBSOLETE 5223081-4
5223081-3
5223081-2
5223081-1
PART NUMBER

SUPERCEDED BY 4-1705989-3

THIS DRAWING IS A CONTROLLED DOCUMENT.		DIN 9 MCMMASTER 130E04	Tyco Electronics Corporation Harrisburg, PA 17105-3608
DIMENSIONS: mm		CHK R WERTZ 130E04	
TOLERANCES UNLESS OTHERWISE SPECIFIED:		APVD R WERTZ 130E04	NAME
0 PLC ± -	1 PLC ± -	PRODUCT SPEC	PIN ASSEMBLY, Z-PACK 2mm FB, SIGNAL, VERTICAL, 5 ROW, 60 POSITION, PRESS FIT LEADS, W/SEQUENCING
2 PLC ± 0.13	3 PLC ± -	APPLICATION SPEC	SIZE CASE CODE DRAWING NO RESTRICTED TO
4 PLC ± -	ANGLES ± -	WEIGHT	A1 00779 C=5223081
MATERIAL FINISH		CUSTOMER DRAWING	SCALE 4:1 SHEET 1 OF 2 REV C

